

# European-type Wire Rope Hoist

X-series European-type Wire Rope Hoist

F-series European-type Wire Rope Hoist

X-series European-type Wire Rope Hoist with Trolley Frame

F-series European-type Wire Rope Hoist with Trolley Frame



# Hoist Application



## HD type Single Girder Overhead Crane

**Compact structure, light dead-weight, small wheel load**

With European latest crane manufacture processes and Fem standard, our crane can achieve small size with low height, allow optimum utilization of workshop's space and reduce "blind" area of the plant which can save more than 10% of construction cost.

**High utilization and efficiency, green and energy-saving**

Save about 30% electricity per year compared to the conventional cranes because of its light dead-weight.

**Frequency conversion technology, precise operation**

Frequency control system enables smooth and safe material handling, less impact force when the crane starts and brakes, and long service life.

**Noise down to 65DB**

Operation noise is minimized because of drum-built-in reducer and precise gear grinding technology.

**Easy to maintain and low maintenance cost**

Maintenance free design for reducer, small size and good sealing technology.

---

Henan Yuantai Crane Machinery - Donqi Group

Email: [yuntai@ytc Crane.com](mailto:yuntai@ytc Crane.com) Tel: 0086-371-65760775 Web: [www.ytc Crane.com](http://www.ytc Crane.com)

# X-series European-type Wire Rope Hoist



## X-series European-type Wire Rope Hoist

--apply to single girder crane

**Lifting capacity: 1-20ton**

**Lifting height: 1-50m**

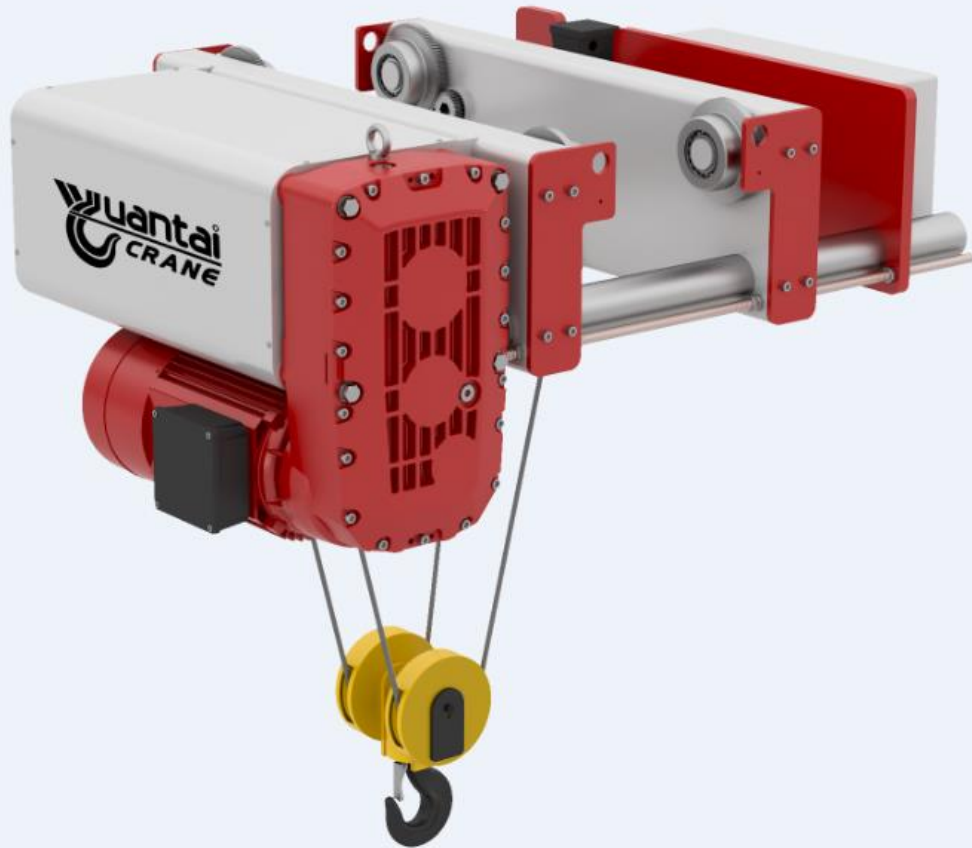
- Independent Intellectual Property in hoisting mechanism with FEM standard design.
- Co-axial design of drum and lifting motor makes the structure compact and reasonable.
- Special structure design increases the lifting height, optimum utilization of the vertical space which will reduce the plant height.
- Planetary gear box inside the drum, maintenance free.
- Synchronous driving wheels distributed on both sides, uniform and smooth running which reduces wearing and damage of wheels.

---

Henan Yuantai Crane Machinery - Donqi Group

Email: [yuantai@ytc Crane.com](mailto:yuantai@ytc Crane.com) Tel: 0086-371-65760775 Web: [www.ytc Crane.com](http://www.ytc Crane.com)

# F-series European-type Wire Rope Hoist



## F-series European-type Wire Rope Hoist

--apply to single girder crane

**Lifting capacity: 1-20ton**

**Lifting height: 1-50m**

•European rope hoist's common C-design structure, separate arrangement of motor, drum and reducer, , beautiful shape. Modular design of motor, drum and reducer, C-design structure, beautiful design.

- Compact C-design structure significantly increases the lifting height which effectively reduces the height of the plant.
- Side-mounted three-stage helical gear box, minimum left and right hook approach and maintenance free.
- Synchronous driving wheels distributed on both sides, uniform and smooth running which reduces wearing and damage of wheels.

---

Henan Yuantai Crane Machinery - Donqi Group

Email: [yuantai@ytc Crane.com](mailto:yuantai@ytc Crane.com) Tel: 0086-371-65760775 Web: [www.ytc Crane.com](http://www.ytc Crane.com)

# X-series European-type Wire Rope Hoist with Trolley Frame



## X-series European- type Wire Rope Hoist with Trolley Frame

--apply to double girder crane

**Lifting capacity: 1-100ton**

- Independent Intellectual Property in hoisting mechanism with FEM standard design.
- Trolley frame made by rectangular hollow section steel, light weight and durable.
- Wheels made by alloyed steel material, high wear-and-tear resistance feature.
- Double driving motors distribute on both sides, smooth running along straight line.
- Compact structure maximizes the effective three-dimensional travel of the hook.

---

Henan Yuantai Crane Machinery - Donqi Group

Email: [yuantai@ytc Crane.com](mailto:yuantai@ytc Crane.com) Tel: 0086-371-65760775 Web: [www.ytc Crane.com](http://www.ytc Crane.com)

# F-series European-type Wire Rope Hoist with Trolley Frame



## F-series European-type Wire Rope Hoist with Trolley Frame

--apply to double girder crane

**Lifting capacity: 1-100ton**

- Trolley frame made by rectangular hollow section steel, light weight and durable
- Wheels made by alloyed steel material, high wear-and-tear- resistance feature
- Double driving motors distribute on both sides, smooth running along straight line
- Compact structure maximizes the effective three-dimensional space of the hook

---

Henan Yuantai Crane Machinery - Donqi Group

Email: [yuantai@ytcrane.com](mailto:yuantai@ytcrane.com) Tel: 0086-371-65760775 Web: [www.ytcrane.com](http://www.ytcrane.com)

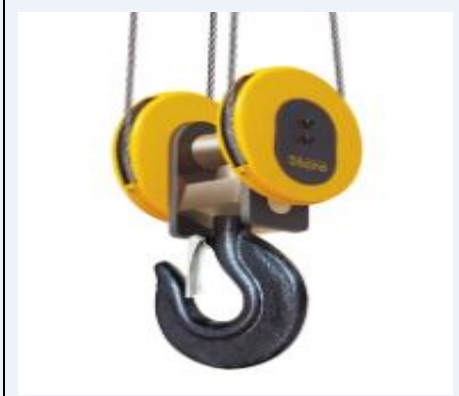
# Accessories



1. Drum inside precise planetary gear box with compact structure, high transmission efficiency, large torque and maintenance free.
2. Low noise design ( $\leq 65\text{DB}$ )
3. Well-sealed, no oil leakage



1. Small size electromagnetic disc brake, normally-closed type, brake torque up to 300%.
2. Automatically compensates brake disc clearance, maintenance free.
3. Dust-proof sealing technology
4. Non-asbestos material, normal service life up to 100 million times



1. High Strength T grade, quenched and tempered steel 34CrMoV main material
2. Safety latch included
3. Rolled pulley with strong carrying capacity

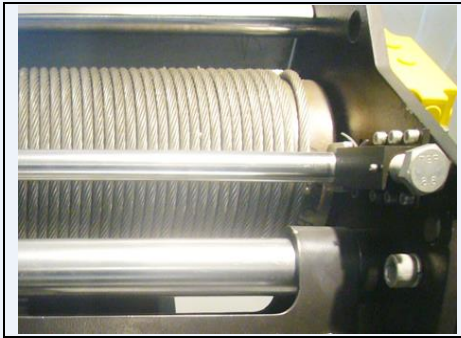



Rope guide main material is engineering plastics with high wear resistance and light weight.

The material reduces rope wear and increases service life.

Henan Yuantai Crane Machinery - Donqi Group

Email: [yuntai@ytcrane.com](mailto:yuntai@ytcrane.com) Tel: 0086-371-65760775 Web: [www.ytcrane.com](http://www.ytcrane.com)

	<ol style="list-style-type: none"> <li>1. The ratio of wire rope to drum diameter reaches 46, enabling increased bending radius of wire rope and lowering its damage probability.</li> <li>2. Drum rope slot is processed by CNC milling machine, depth complied with Fem standard.</li> </ol>
	<ol style="list-style-type: none"> <li>1. High strength zinc - plated wire rope, breaking force 2160KN/mm<sup>2</sup></li> <li>2. Maintenance free, no protection oil needed</li> </ol>
	<p><b>Optional Black Box</b></p> <ol style="list-style-type: none"> <li>1. Automatic monitoring recorder.</li> <li>2. Showing lifting weight, recording crane running hours.</li> <li>3. Recording crane overload times, providing protection and alarms.</li> <li>4. Recording hoisting motor starting times</li> <li>5. Providing hoisting motor over-temperature protection and alarms</li> </ol>



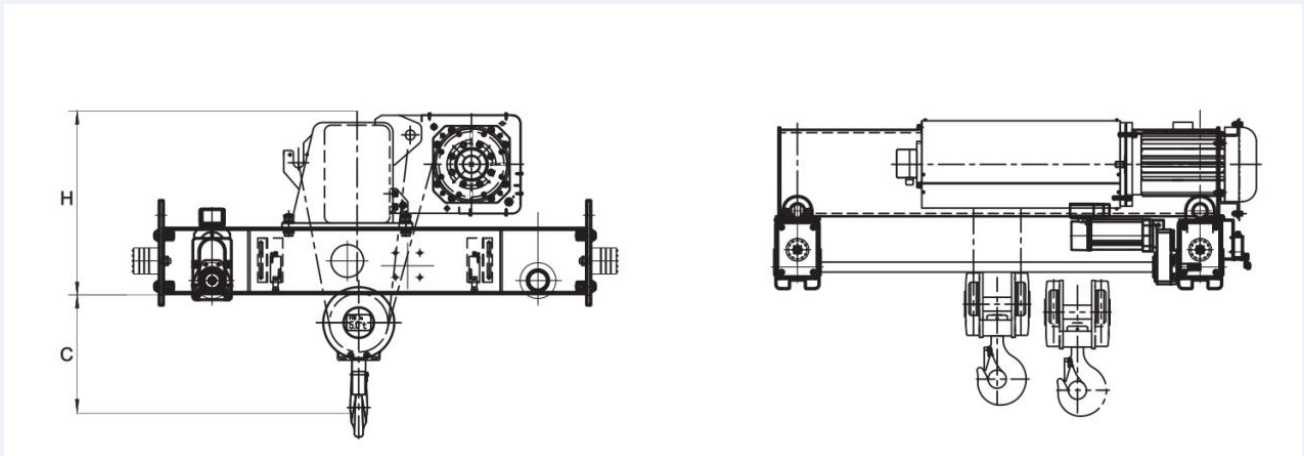


## Main parameter table (mono-rail type)

Capacity (Kg)	Working grade FEM	Working grade IOS	Lifting height (m)	Lifting speed (m/min)	Travelling speed (m/min)
3.2T	2m	M5	6/9/12/15/18	0-5.0	0-20
3.2T	2m	M5	6/9/12/15/18	0-8.0	0-20
5T	2m	M5	6/9/12/15/18	0-5.0	0-20
5T	2m	M5	6/9/12/15/18	0-8.0	0-20
8T	2m	M5	6/9/12/15/18	0-4.0	0-20
8T	2m	M5	6/9/12/15/18	0-4.5	0-20
10T	2m	M5	6/9/12/15/18	0-4.0	0-20
10T	2m	M5	6/9/12/15/18	0-4.5	0-20
12.5T	2m	M5	6/9/12/15/18	0-4.0	0-20
12.5T	2m	M5	6/9/12/15/18	0-5.0	0-20
16T	2m	M5	6/9/12/15/18	0-4.4	0-20
16T	2m	M5	6/9/12/15/18	0-5.0	0-20
20T	2m	M5	6/9/12/15/18	0-3.5	0-20
20T	2m	M5	6/9/12/15/18	0-5.0	0-20

Henan Yuantai Crane Machinery - Donqi Group

Email: [yuntai@ytcrane.com](mailto:yuntai@ytcrane.com) Tel: 0086-371-65760775 Web: [www.ytcrane.com](http://www.ytcrane.com)



## Main parameter table (double rail type)

Capacity (Kg)	Working grade FEM	Working grade IOS	Lifting height (m)	Lifting speed (m/min)	Travelling speed (m/min)
3.2T	2m	M5	6/9/12/15/18	0-5.0	0-20
3.2T	2m	M5	6/9/12/15/18	0-8.0	0-20
5T	2m	M5	6/9/12/15/18	0-5.0	0-20
5T	2m	M5	6/9/12/15/18	0-8.0	0-20
8T	2m	M5	6/9/12/15/18	0-4.0	0-20
8T	2m	M5	6/9/12/15/18	0-4.5	0-20
10T	2m	M5	6/9/12/15/18	0-4.0	0-20
10T	2m	M5	6/9/12/15/18	0-4.5	0-20
12.5T	2m	M5	6/9/12/15/18	0-4.0	0-20
12.5T	2m	M5	6/9/12/15/18	0-5.0	0-20
16T	2m	M5	6/9/12/15/18	0-4.4	0-20
16T	2m	M5	6/9/12/15/18	0-5.0	0-20
20T	2m	M5	6/9/12/15/18	0-3.5	0-20
20T	2m	M5	6/9/12/15/18	0-5.0	0-20
25T	2m	M5	6/9/12/15/18	0-2.8	0-20
25T	2m	M5	6/9/12/15/18	0-3.8	0-20
32T	2m	M5	6/9/12/15/18	0-2.8	0-20
32T	2m	M5	6/9/12/15/18	0-3.8	0-20
50T	2m	M5	6/9/12/15/18	0-3.0	0-20
50T	2m	M5	6/9/12/15/18	0-4.0	0-20

Henan Yuantai Crane Machinery - Donqi Group

Email: [yuantai@ytc Crane.com](mailto:yuantai@ytc Crane.com) Tel: 0086-371-65760775 Web: [www.ytc Crane.com](http://www.ytc Crane.com)

50T	2m	M5	6/9/12/15/18	0-5.0	0-20
63T	1Am	M4	6/9/12/15/18	0-3.0	0-20
63T	1Am	M4	6/9/12/15/18	0-4.0	0-20
80T	1Am	M4	6/9/12/15/18	0-2.5	0-20

---

Henan Yuantai Crane Machinery - Donqi Group

Email: [yuntai@ytcrane.com](mailto:yuntai@ytcrane.com) Tel: 0086-371-65760775 Web: [www.ytcrane.com](http://www.ytcrane.com)